

HLGC-xx24-08

1.25Gbps GBIC Optical Transceiver, 80km Reach

Features

- ◆ Dual data-rate of 1.25Gbps/1.0625Gbps operation
- ◆ 18 CWDM DFB wavelengths laser and PIN photodetector for 80km transmission
- ◆ Duplex SC optical interface
- ◆ Standard serial ID information compatible with SFF-8053
- ◆ +3.3V/5V single power supply
- ◆ RoHS Compliant
- ◆ Operating case temperature: 0 to +70°C



Applications

- ◆ Switch to Switch interface
- ◆ Switched backplane applications
- ◆ Router/Server interface
- ◆ Other optical transmission systems

Description

The GBIC transceiver is high performance, cost effective module supporting dual data-rate of 1.25Gbps/1.0625Gbps and from 80km transmission distance with SMF.

The transceiver consists of two sections: The transmitter section incorporates a DFB laser. And the receiver section consists of a PIN photodiode integrated with a trans-impedance preamplifier (TIA). All modules satisfy class I laser safety requirements.

The optical output can be disabled by a TTL logic high-level input of Tx Disable. Tx Fault is provided to indicate degradation of the laser. Loss of signal (LOS) output is provided to indicate the loss of an input optical signal of receiver.

The standard serial ID information Compatible with GBIC MSA describes the transceiver's capabilities, standard interfaces, manufacturer and other information. The host equipment can access this information via the two-wire serial CMOS EEPROM protocol. For further information, please refer to SFF-8053

Absolute Maximum Ratings

Stress in excess of the maximum absolute ratings can cause permanent damage to the module.

Table 1 - Absolute Maximum Ratings

Parameter	Symbol	Min	Typical	Max	Unit
Maximum Supply Voltage	V _{cc}	0.5	-	4.5	V
Storage Temperature	T _s	-40	-	100	°C
Relative Humidity	R _H	0	-	+85	%

Recommended Operating Conditions

Table2 - Recommended Operating Conditions

Parameter		Symbol	Min	Typical	Max	Unit
Operating Case Temperature	Standard	T _c	0	-	+70	°C
Power Supply Voltage		V _{cc}	3.1		5.5	v
Power Supply Current		I _{cc}			300	mA
Data Rate	Gigabit Ethernet			1.25		Gbps
	Fibre Channel			1.0625		

HLGC-xx24-08

See table3 below for “xx” values

Table3 -λc Wavelength Guide

λc Wavelength Guide											
Code	λc	Unit	Code	λc	Unit	Code	λc	Unit	Code	λc	Unit
27	1270	nm	37	1370	nm	47	1470	nm	57	1570	nm
29	1290	nm	39	1390	nm	49	1490	nm	59	1590	nm
31	1310	nm	41	1410	nm	51	1510	nm	61	1610	nm
33	1330	nm	43	1430	nm	53	1530	nm			
35	1350	nm	45	1450	nm	55	1550	nm			

Optical and Electrical Characteristics

HLGC-xx24-08: (CWDM and PIN, 80km)

Table3 - Optical and Electrical Characteristics (Operating case temperature TC=25°C, VCC=3.3V)

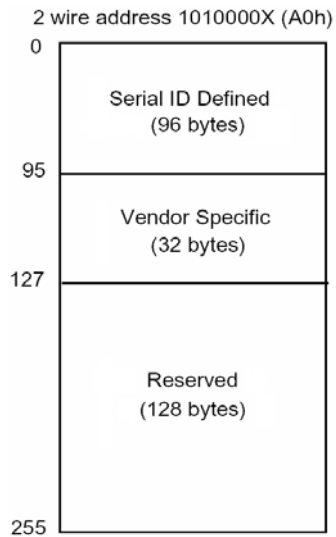
Parameter	Symbol	Min.	Typical	Max.	Unit	Notes
Transmitter						
Spectral Width (-20dB)	σ			1	nm	
Side Mode Suppression Ratio	SMSR	30			dB	
Average Output Power	P _{out}	0		+3	dBm	1
Extinction Ratio	ER	9			dB	
Output Optical Eye	IEEE 802.3z and ANSI Fibre Channel compatible					2
Data Input Swing Differential	V _{IN}	300		1860	mV	3
Input Differential Impedance	Z _{IN}	90	100	110	Ω	
TX Disable	Disable	2.0		V _{cc}	V	
	Enable	0		0.8	V	
TX Fault	Fault	2.0		V _{cc} +0.3	V	
	Normal	0		0.8	V	
Receiver						
Receiver Sensitivity				-23	dBm	4
Receiver Overload		-3			dBm	4
Optical Path Penalty				1	dB	5
LOS De-Assert	LOS _D			-24	dBm	
LOS Assert	LOS _A	-30			dBm	
LOS Hysteresis		1		4	dB	
Data Output Swing Differential	V _{OUT}	370		1800	mV	6

Notes:

1. The optical power is launched into SMF.
2. Measured with a PRBS 2⁷-1 test pattern @1250Mbps.
3. PECL input, internally AC coupled and terminated.
4. Measured with a PRBS 2⁷-1 test pattern @1250Mbps, BER $\leq 1 \times 10^{-12}$.
5. Measured with a PRBS 2⁷-1 test pattern @1250Mbps, over 20km G.652 SMF, BER $\leq 1 \times 10^{-12}$.
6. Internally AC coupled.

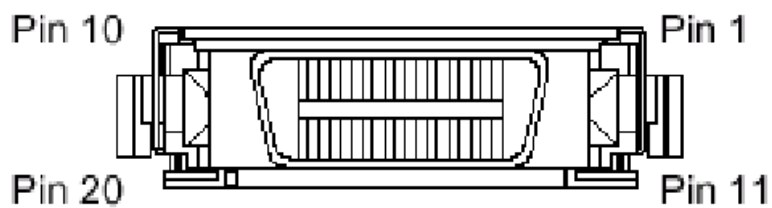
EEPROM Section

The SFF-8053 defines a 256-byte memory map in EEPROM describing the transceiver's capabilities, standard interfaces, manufacturer, and other information, which is accessible over a 2 wire serial interface at the 8-bit address 1010000X (A0h).



Pin Definitions

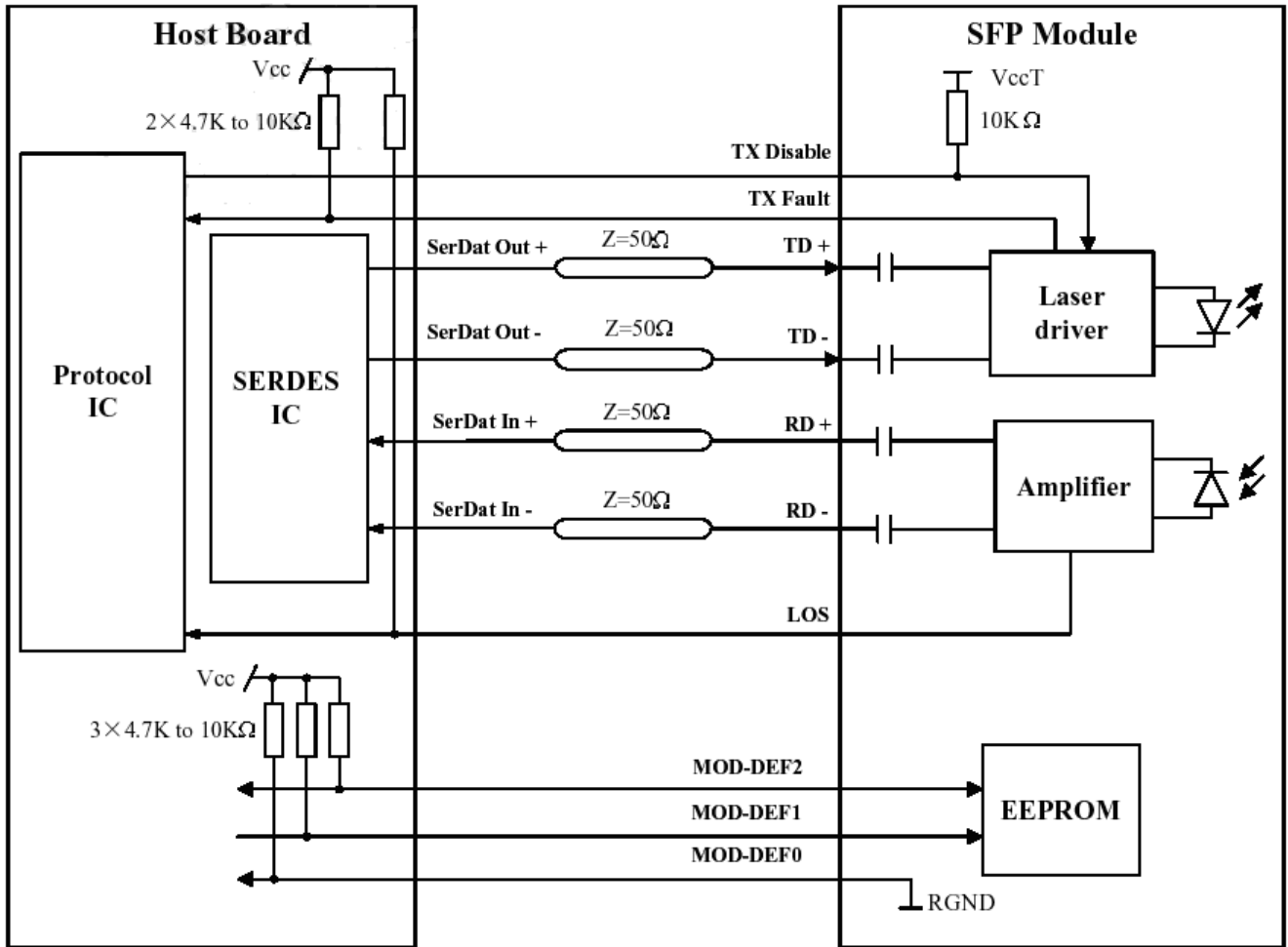
Pin Diagram



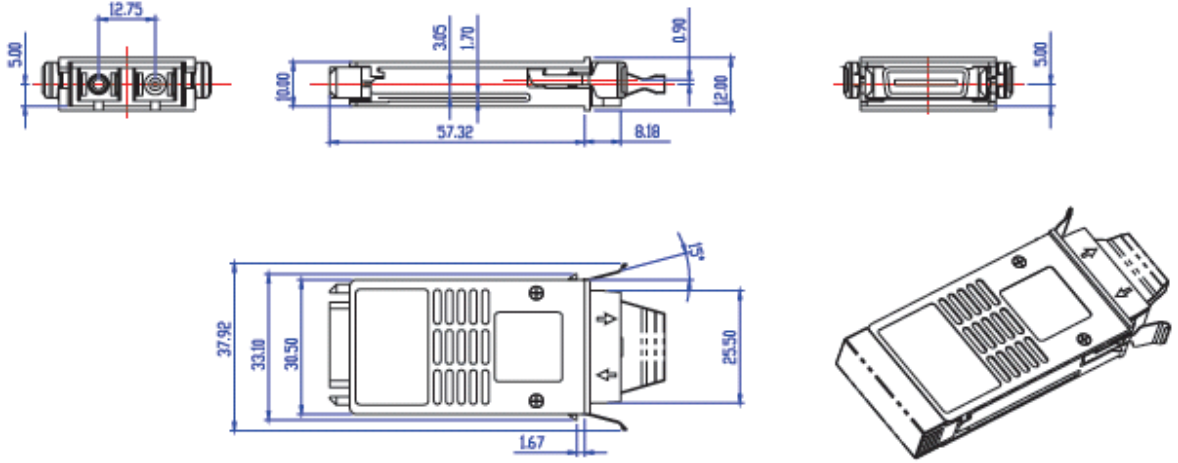
Pin Descriptions

Pin Name	Pin#	Name/Function	Signal Specification
Receiver signals			
RGND	2,3,11,14	Receiver Ground (may be connected with TGND in GBIC)	Ground, to GBIC
VDDR	15	Receiver +3.3/5 volt (may be connected with VDDT in GBIC)	Power, to GBIC
-RX_DAT	12	Receive Data, Differential PECL	High speed serial, from GBIC
+RX_DAT	13	Receive Data, Differential PECL	High speed serial, from GBIC
RX_LOS	1	Receiver Loss of Signal, logic high, open collector compatible, 4.7k to 10k Ω pull up to VDDT on host	Low speed, from GBIC
Transmitter signals			
TGND	8,9,17,20	Transmitter Ground (may be connected with RGND internally)	Ground, to GBIC
VDDT	16	Transmitter +3.3/5 volt (may be connected with VDDR in GBIC)	Power, to GBIC
-TX_DAT	18	Transmit Data, Differential PECL	High speed serial, to GBIC
+TX_DAT	19	Transmit Data, Differential PECL	High speed serial, to GBIC
TX_DISABLE	7	Transmitter Disable, logic high, open collector Compatible, 4.7k to 10k Ω pull up to VDDT on GBIC	Low speed, to GBIC
TX_FAULT	10	Transmitter, Fault, logic high, open collector compatible, 4.7k to 10k Ω pull up to VDDT on host	Low speed, from GBIC
Control signals			
MOD_DEF(0)	4	TTL low, output	Please reference SFF-8053, Annex D; Module definition "4"
MOD_DEF(1)	5	SCL serial clock signal, input	
MOD_DEF(2)	6	SDA serial data signal, input/output	

Block Diagram of Transceiver



Mechanical Dimensions



Ordering information

Part number	Product Description
HLGC-2724-08	1270nm, 1.25Gbps, 80km, 0°C~+70°C
HLGC-2924-08	1290nm, 1.25Gbps, 80km, 0°C~+70°C
HLGC-3124-08	1310nm, 1.25Gbps, 80km, 0°C~+70°C
HLGC-3324-08	1330nm, 1.25Gbps, 80km, 0°C~+70°C
HLGC-3524-08	1350nm, 1.25Gbps, 80km, 0°C~+70°C
HLGC-3724-08	1370nm, 1.25Gbps, 80km, 0°C~+70°C
HLGC-3924-08	1390nm, 1.25Gbps, 80km, 0°C~+70°C
HLGC-4124-08	1410nm, 1.25Gbps, 80km, 0°C~+70°C
HLGC-4324-08	1430nm, 1.25Gbps, 80km, 0°C~+70°C
HLGC-4524-08	1450nm, 1.25Gbps, 80km, 0°C~+70°C
HLGC-4724-08	1450nm, 1.25Gbps, 80km, 0°C~+70°C
HLGC-4924-08	1490nm, 1.25Gbps, 80km, 0°C~+70°C
HLGC-5124-08	1510nm, 1.25Gbps, 80km, 0°C~+70°C
HLGC-5324-08	1530nm, 1.25Gbps, 80km, 0°C~+70°C
HLGC-5524-08	1550nm, 1.25Gbps, 80km, 0°C~+70°C
HLGC-5724-08	1570nm, 1.25Gbps, 80km, 0°C~+70°C
HLGC-5924-08	1590nm, 1.25Gbps, 80km, 0°C~+70°C
HLGC-6124-08	1610nm, 1.25Gbps, 80km, 0°C~+70°C

E-mail: sales@he-link.com

Web : <http://www.he-link.com>